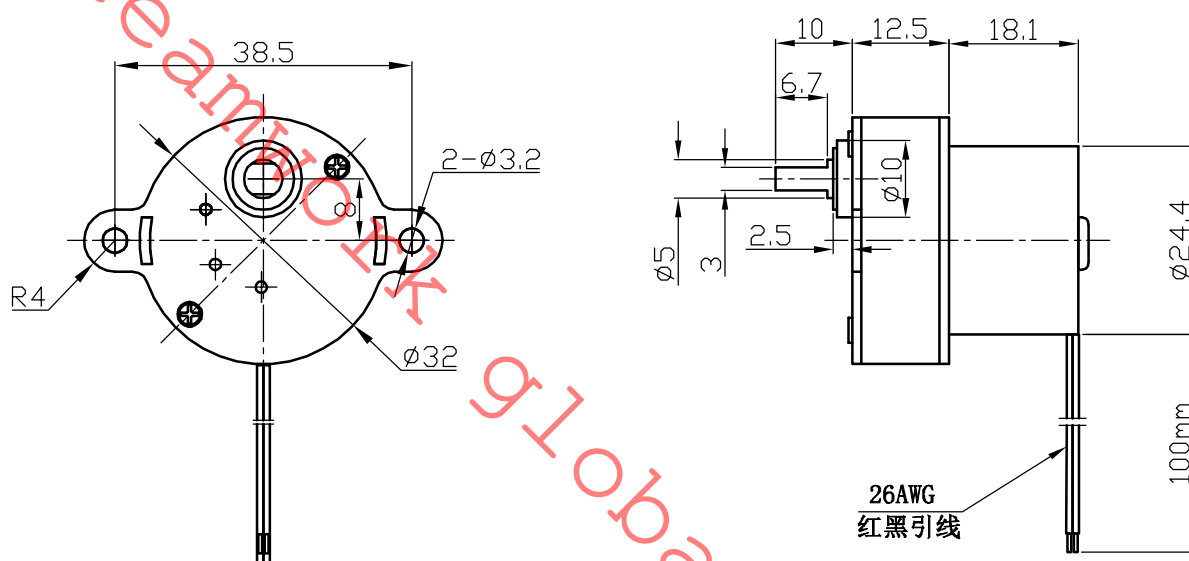


天沃环球集团有限公司
TEAMWORK GLOBAL GROUP LTD
样品确认书
SAMPLE CONFIRMATION

Page 页码: 1/2

Model	TW-32B310-142-0647	Rated Voltage	6V	NO.	OG-2018092001	Date:	2018. 9. 20
-------	--------------------	---------------	----	-----	---------------	-------	-------------

外形图 Dimension



1. Standard Operating Conditions 正常使用条件

- | | |
|--|---|
| 1.1 Operating Voltage:
电压使用范围: | DC 3~7V (constant between motor terminals)
(马达接线终端之稳定电压) |
| 1.2 Operating Condition Temperature Range :
使用环境温度范围: | -0~+50° C |
| 1.3 Direction of Rotation:
旋转方向 | CW or CCW |
| Positive pole connect Red "+"
Negative pole connect "-"
Facing the output shaft axis | 电源正极接红点"+"端子,
负极接 "-" 端子
面对轴伸端看输出轴应顺时针旋转CW |

2. Measuring Conditions 测量条件

- | | |
|---|-----------|
| 2.1 Rated Voltage:
额定电压: | DC 6V |
| 2.2 Environment Temperature:
测试环境温度: | 13° C |
| 2.3 Environment Humidity:
测试环境湿度: | 60% |
| 2.4 Position of Motor:
设置方向:
The tested sample is set level | 电机出力轴水平放置 |

3. Electrical characteristics (Test after running 30 seconds) 电器特性 (电机通电30秒后测试)

样品确认书

SAMPLE CONFIRMATION

Page 页码: 2/2

Model	TW-32B310-142-0647	Rated Voltage	6V	NO.	OG-2018092001	Edition	A/0
-------	--------------------	---------------	----	-----	---------------	---------	-----

- 3.1 No-load:
空载特性:
- 3.1.1 No-load speed: 47.8±10%rpm
无负载转速:
- 3.1.2 No-load current: 0.125A (0.25A max)
无负载电流:
- 3.2 Rated-load:
负载特性:
- 3.2.1 Rated-load torque: 3.0kg. cm
负载转矩:
- 3.2.2 Rated-load current: 0.476A (0.714A max)
负载电流:
- 3.2.3 Rated-load Speed: 38.4±10%rpm
负载转速:
- 3.2.4 Stall current: 2.01A REF
堵转电流:
- 3.2.5 Stall torque: 12.2kg. cm REF
堵转力矩:

4. Mechanical characteristics 机械特性

- 4.1 Configuration: As specified in outline drawing
外观: 依图示规格
- 4.2 Axial play of shaft ≤0.3mm
轴向间隙:
- 4.3 Weight:
重量:
- 4.4 Mechanical Noise: To be set up with mutual consent
机械噪音: 设定双方均能接受之标准
- 4.5 Mechanical Vibration: To be set up with mutual consent
机械震动: 设定双方均能接受之标准

5. Motor features 电机特性

- 5.1 No-load Current: 0.090A
空载电流:
- 5.2 No-load Speed: 6900±10%rpm
空载转速:

6. Life test 寿命试验

- Test conditions 测试条件
- 6.1 Rated load:
额定负载:
- 6.2 Environment: (Nomal circumstances) 21°C ±5° C/ 65%±20%RH
环境: (常规情况)
- 6.3 Test mode: A. Rated-load continuous operation
试验模式: A. 额定负载连续运转
B. Running 5s stop 5s
B. 运行5秒停5秒
50000个周期

Client Confirms :
客户确认