

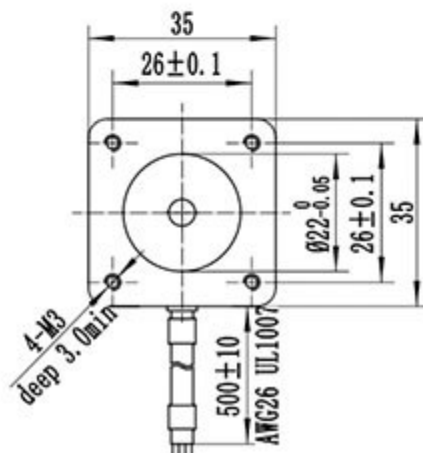
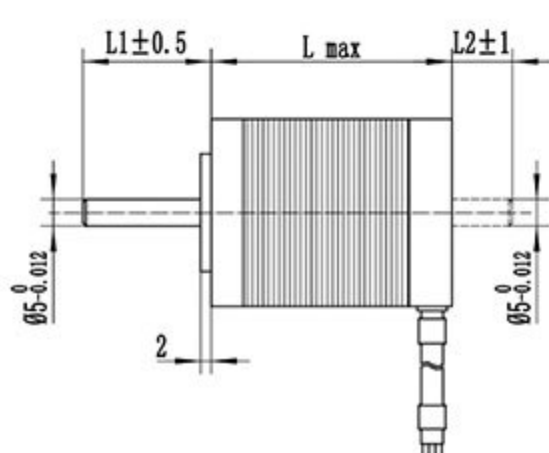
## Quick Detail:

Item	Specifications
Step Angle Accuracy	±5%
Resistance Accuracy	±10%
Inductance Accuracy	±20%
Temperature Rise	80°C Max
Ambient Temperature	-20°C~+50°C
Insulation Resistance	100MΩMin.500VDC
Dielectric Strength	500VAC for one minute
Shaft Radial Play	0.02Max.(450g-load)
Shaft Axial Play	0.08Max.(450g-load)

Model No	Step Angle (°)	Rated Voltage (V)	Rated Current (A)	Phase Resistance (Ω)	Phase Inductance (mH)	Holding Torque (g.cm)	Rotor Inertia (g.cm <sup>2</sup> )	Motor Length (mm)	Leads No.	Motor Weight (g)
35HM28-0244	0.9	8.2	0.24	34	42	700	12	28	4	150
35HM28-0804	0.9	3.6	0.8	4.5	4.2	900	12	28	4	130
35HM33-0554	0.9	6.6	0.55	12	19	1400	18	33	4	180
35HM36-0704	0.9	4.3	0.7	6.2	12	1200	14	36	4	190
35HM36-0804	0.9	4.8	0.8	6	10	1400	18	33	4	190

Above only for representative products,products of special request can be made according to the customer request.

## Dimensions unit=mm



## Wiring Diagram:

